



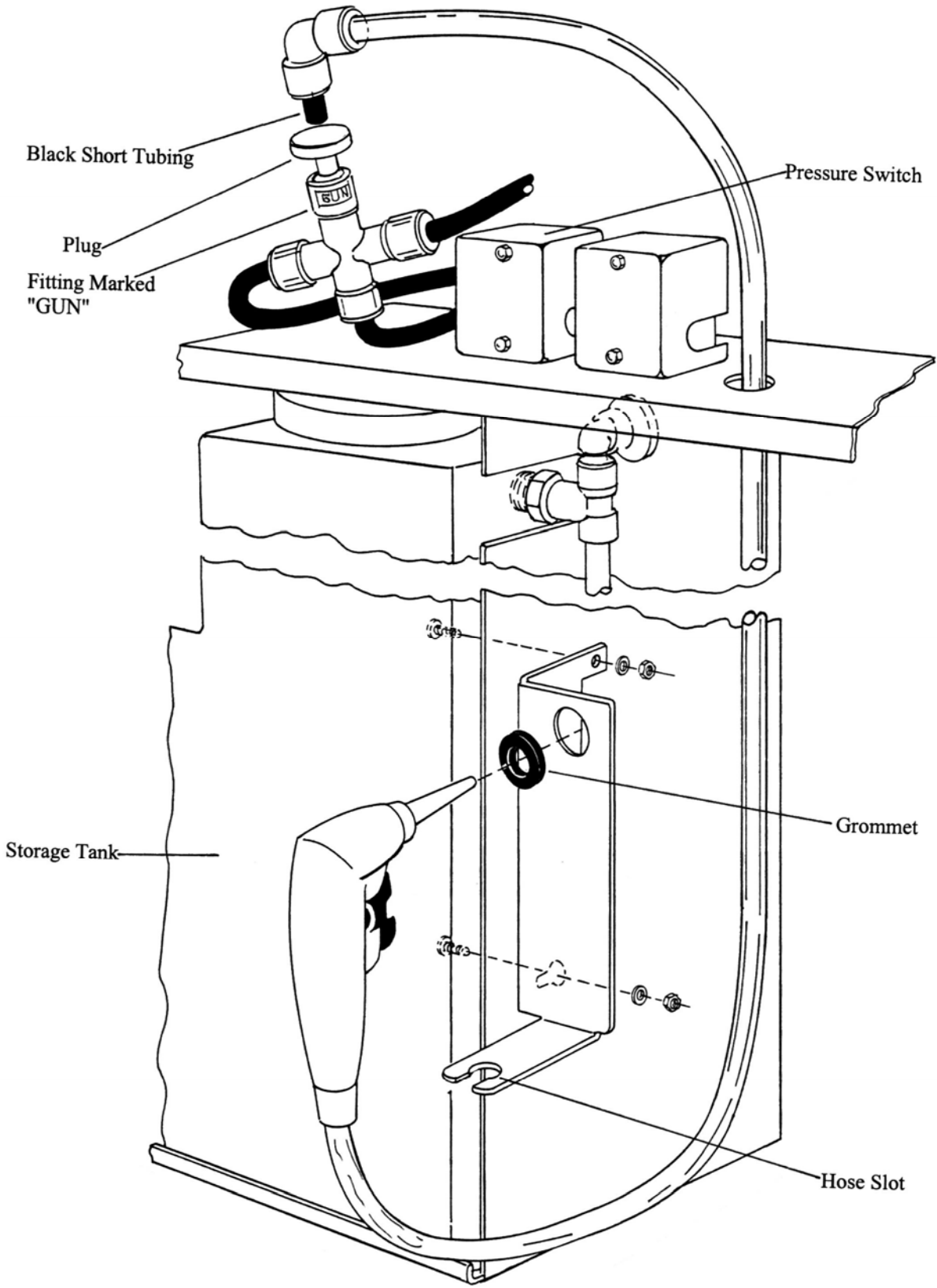
LABCONCO CORPORATION 8811 Prospect Ave, Kansas City, MO 64132
(816) 333-8811, Fax (816) 363-0130, (800) 821-5525

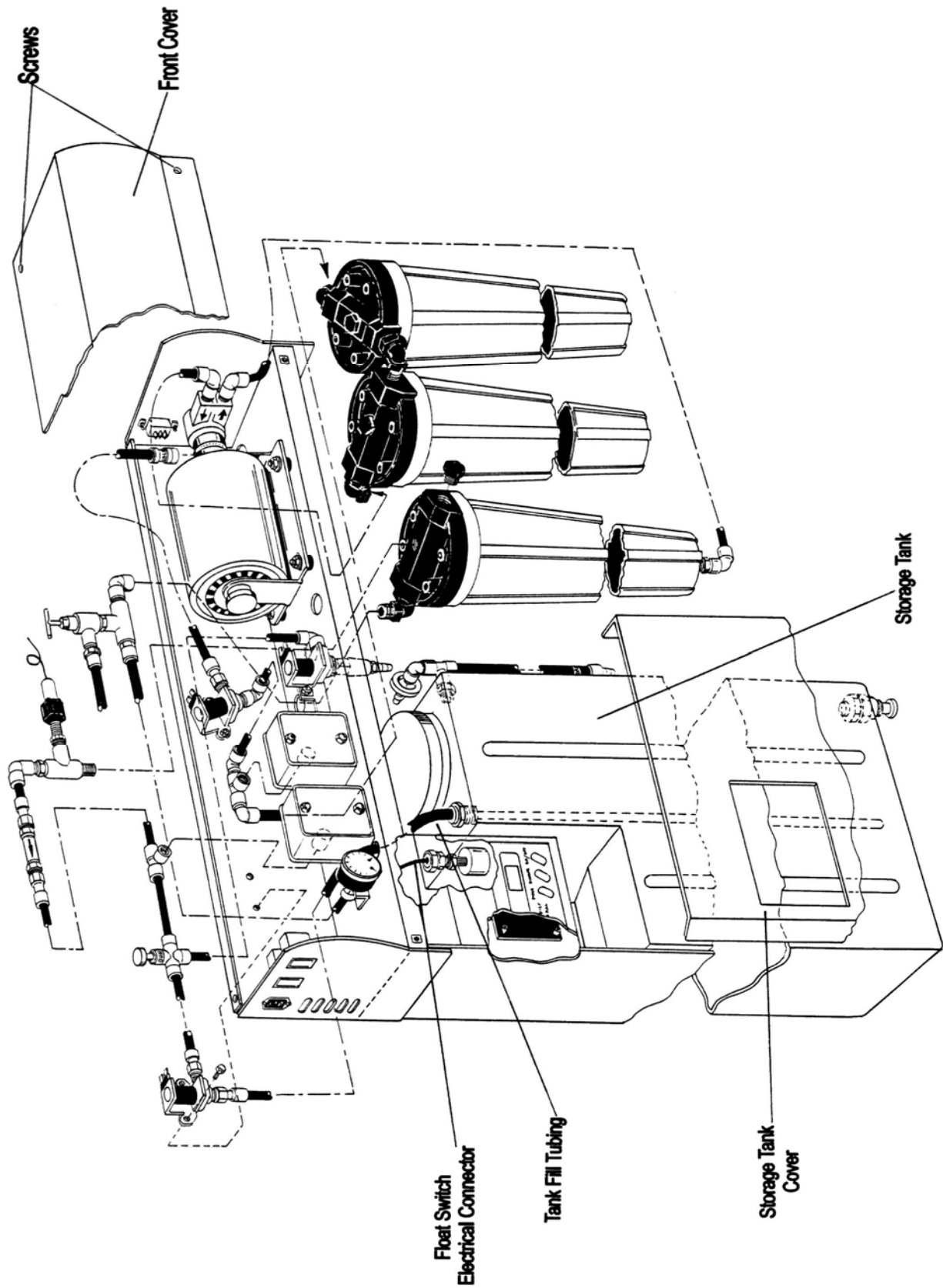
DISPENSE GUN INSTALLATION INSTRUCTIONS

Introduction-

This instruction sheet is written to aid in the ease of installation in field of the dispense gun on the WaterPro RO Station™ (P/N 9075000, 9075002).

1. Close feed water supply line valve and relieve pressure in system by pressing dispense button. Disconnect from electrical power after relieving pressure.
2. Remove the two screws located on the front of the cabinet cover with a Phillips screwdriver. Loosen the two screws located on top of the cover and remove cover.
3. Remove the metal bracket with the grommet from the plastic bag.
4. Remove the storage tank cover by lifting up and pulling out. Remove the storage tank by tilting tank forward and disconnecting the float switch, electrical connection and the tank fill tubing. Refer to exploded view drawing.
5. Install the bracket on the right side of the storage tank housing using the hardware provided. See installation drawing included with this kit.
6. Remove the dispense gun with the tubing from the shipping carton.
7. Inside the cabinet of the RO unit, locate the fitting marked "GUN" which is located next to the pressure switch. Remove the plug in this fitting by pressing down on the gray collar to release the plug.
8. Push the black short tubing of the dispense gun into the end of the fitting marked gun.
9. Set the gun trigger to the constant ON position and direct to drain.
10. Connect unit to electrical supply. Turn on the feed water supply valve.
11. Allow water to fill the clear tubing attached to the gun and then close the trigger to stop flow. Check for leaks.
12. Place gun in previously installed bracket so that the nozzle of the gun inserts into the black grommet on the bracket and the tubing clamps into the hose slot provided.
13. The unit is ready to be used.





Warranty-

We are committed to providing our customers with quality equipment and service after the sale. Part of this objective involves keeping you informed of changes and new product additions.

Labconco Corporation warrants products of its manufacture for one year, from receipt of the equipment by the purchaser, against defects in materials and workmanship. This limited warranty covers parts and labor but not transportation and insurance charges. In the event of a warranty claim, contact the dealer who sold you the product. If the cause is determined to be a manufacturing fault, the dealer or Labconco Corporation will repair or replace all defective parts to restore the unit to operation. **Under no circumstances shall Labconco Corporation be liable for indirect, consequential or special damages of any kind.** This statement of warranty may be altered by specific published amendments. No individual has authorization to alter the provisions of this warranty policy or its amendments. Lamps and expendable items such as filters are not covered by this warranty. Damage due to corrosion or accidental breakage is also not covered.

WARNING: various federal, state or local regulations may govern the disposal and/or emission of substances used in connection with this equipment. All users of this equipment are urged to become familiar with any regulations that apply in the user's area concerning the dumping of waste materials in or upon water, land or air and to comply with such regulations.

Shipping Claims-

If a shipment is received in visibly damaged condition, be certain to make a notation on the delivering carrier's receipt and have his agent confirm the damage on your receipt. Otherwise, the damage claim may be refused.

If concealed damage or pilferage is discovered, notify the carrier immediately and retain the entire shipment intact for inspection. Interstate Commerce Commission rules requires that the claim be filed with the carrier within 15 days after delivery.

NOTE: Do not return goods. Goods returned without prior authorization will not be accepted. Labconco Corporation and its dealers are not responsible for shipping damage. The recipient must file claims directly with the freight carrier. If authorization has been received to return this product, by accepting this approval, the user assumes all responsibility and liability for biological and chemical decontamination and cleansing. Labconco reserves the right to refuse delivery of any products that do not appear to have been properly cleaned and/or decontaminated prior to return.

Contacting Labconco-

If you have any questions that are not addressed in these instructions, or if you need technical assistance, please contact Labconco's Sales Information Department at either 1-(800) 821-5525, and Service Information at (800)-522-7658 or (816) 333-8811, between the hours of 7:00 a.m. and 6:00 p.m. Central Standard Time. Visit the Internet at <http://www.labconco.com> or e-mail: labconco@labconco.com.