

Blood Drawing Chairs



Labconco Blood Drawing Chairs

Features & Benefits



Padded arm is contoured and angled at 10° to support the patient's arm in a fully extended position for easier venipuncture. Padded arm is molded urethane foam with an integral coating that cleans easily and withstands disinfection with alcohol or bleach.

Gas-assist arm lift mechanism aids padded arm to upright-vertical position and holds it stationary. Helps to safely and gently lower arm.

Durable chair constructed for long life. Seat is strong, scratch-resistant, molded nylon-filled polyester.

Accommodates up to 450 lbs to comfortably seat patients.

Elevated seat reduces back strain for technician.

Welded frame of 1" square steel tubing and formed supporting channels are powder-coated for chemical resistance.

Optional storage cabinet has a slide-out tray with inside dimensions of 14" w x 20.3" d (35.6 x 51.4 cm). Tray is removable for cleaning. Padded urethane cabinet top has a dished compartment for safe placement of test tubes and other blood drawing supplies. Cabinet placement is interchangeable from left to right side of chair.

10 year warranty

Labconco Bariatric Blood Drawing Chairs

Features & Benefits



Adjustable arms

accommodate larger patients. Arm height adjustment move placement front and back and up and down to accommodate larger individuals. Two easy-to-use knob mechanisms on each arm allow for incremental adjustment.

Hinged arms

may be lifted to upright and vertical positions for easy chair entry and exit.

Durable chair

constructed for long life. Seat is strong, scratch-resistant, molded nylon-filled polyester. Easy to clean vinyl upholstery.

Accommodates up to 700 lbs

to comfortably seat larger-proportioned individuals or an adult sitting next to a smaller child.

Elevated seat

reduces back strain for technician.

Welded frame

of 1" square steel tubing and formed supporting channels are powder-coated for chemical resistance.

Optional storage cabinet

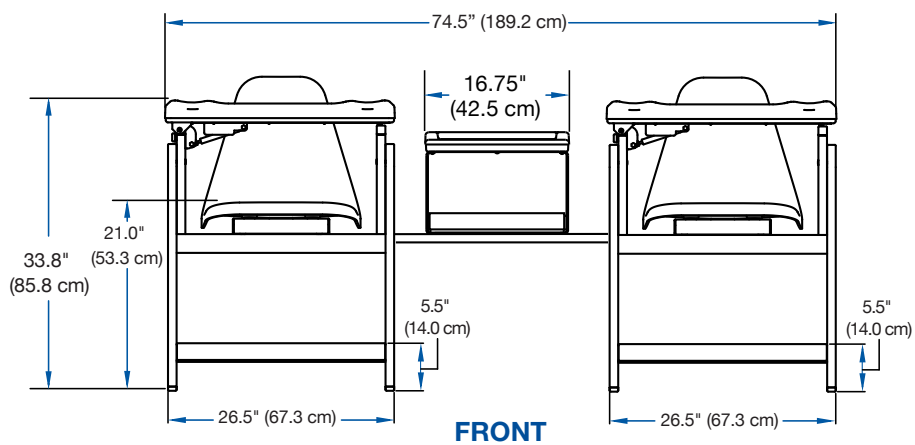
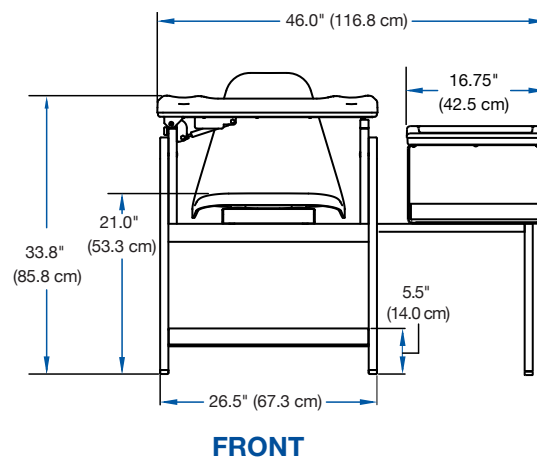
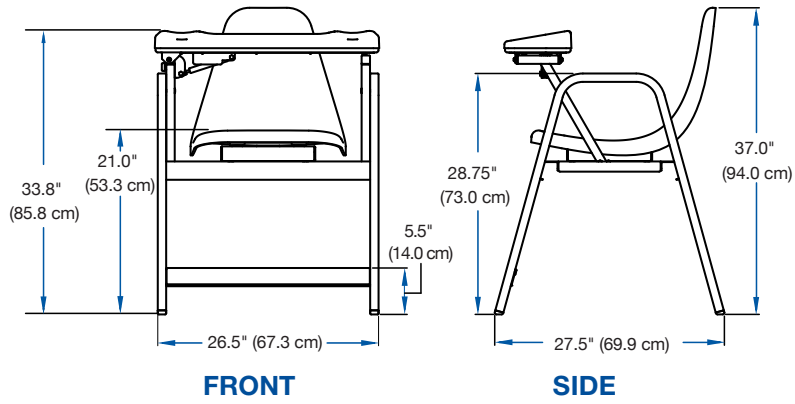
has a slide-out tray with inside dimensions of 14" w x 20.3" d (35.6 x 51.4 cm). Tray is removable for cleaning. Padded urethane cabinet top has a dished compartment for safe placement of test tubes and other blood drawing supplies. Cabinet placement is interchangeable from left to right side of chair.

10 year warranty*

*Warranty excludes normal upholstery wear.

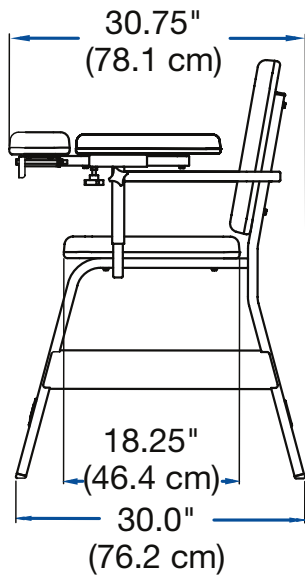
Labconco Blood Drawing Chairs

Dimensional Data

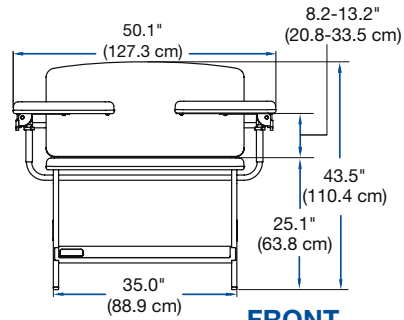


Labconco Bariatric Blood Drawing Chairs

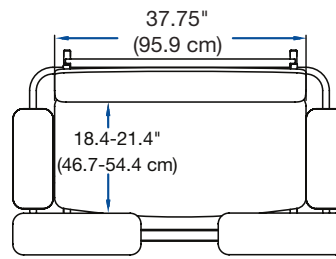
Dimensional Data



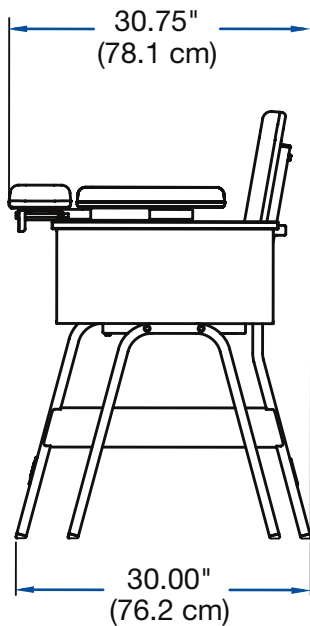
SIDE



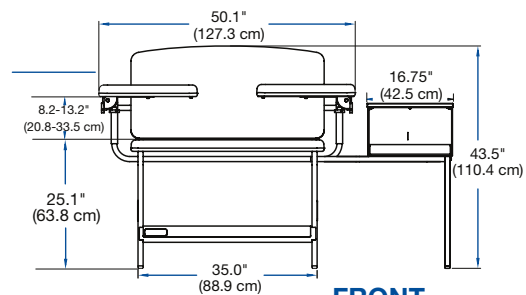
FRONT



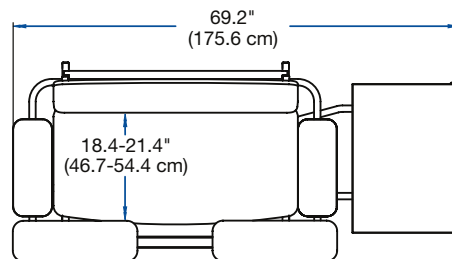
TOP



SIDE



FRONT



TOP

Labconco Blood Drawing Chairs

Specifications

1120010—Blood Drawing Chair

- Overall dimensions: 26.5" w x 27.5" d x 37.0" h (67.3 x 69.9 x 94.0 cm)
- Compression-molded, nylon filled polyester chair, glacier white powder-coated 1" square tubular steel frame, 304 stainless steel foot rest, and molded urethane padded arm with integral coating and gas-assist arm lift mechanism
- Seat clearance: from chair back to armrest is 14.75" (37.5 cm) d and from chair seat to armrest is 11.25" (28.6 cm) h
- Ten year warranty on materials and workmanship
- Weight capacity 450 lbs. (204 kg)
- Shipping weight 58 lbs. (26 kg)

⚠ **WARNING:** Cancer—P65Warnings.ca.gov (California only)

1120110—Blood Drawing Chair with Storage Cabinet

- Overall dimensions: 46.0" w x 27.5" d x 37.0" h (116.8 x 69.9 x 94.0 cm)
- Compression molded, nylon-filled polyester chair, glacier white powder-coated one-inch tubular steel frame, 304 stainless steel foot rest, and molded urethane padded arm with integral coating and gas-assist arm lift mechanism
- Seat clearance: from chair back to armrest is 14.75" (37.5cm) d and from chair seat to armrest is 11.25" (28.6 cm) h
- Padded urethane storage cabinet top includes a dished compartment.
- Ten year warranty on materials and workmanship
- Powder-coated storage cabinet includes one slide-out tray of high impact ABS plastic with dish dimensions of 14.0" w x 20.25" d (35.6 x 51.4 cm). Bracket and hardware are provided to mount the interchangeable cabinet on right or left side of chair
- Overall inside cabinet dimensions: 16.3" w x 22.0" d x 9.0" h (41.4 x 55.9 x 22.9 cm)
- Some assembly required
- Weight capacity 450 lbs. (204 kg)

⚠ **WARNING:** Cancer—P65Warnings.ca.gov (California only)

1120210—Double Blood Drawing Chair with Center Storage Cabinet

- Overall dimensions: 74.5" w x 27.5" d x 37.0" h (189.2 x 69.5 x 94.0 cm)
- Two compression-molded, nylon-filled polyester chairs, glacier white powder-coated 1" square tubular steel frames, 304 stainless steel foot rests, and molded urethane padded arms with integral coating and gas-assist arm lift mechanism
- Seat clearance: from chair back to armrest is 14.75" (37.5 cm) d and from chair seat to armrest is 11.25" (28.6 cm) h
- Padded urethane storage cabinet top includes a dished compartment
- Powder-coated storage cabinet includes one slide-out tray of high impact ABS plastic with dish dimensions of 14.0" w x 20.25" d (35.6 x 51.4 cm). Bracket and hardware are provided to mount the cabinet between the two chairs
- Overall inside cabinet dimensions: 16.3" w x 22.0" d x 9.0" h (41.4 x 55.9 x 22.9 cm)
- Ten year warranty on materials and workmanship
- Weight capacity per chair 450 lbs. (204 kg)
- Shipping weight 169 lbs. (77 kg)
- Some assembly required

⚠ **WARNING:** Cancer—P65Warnings.ca.gov (California only)



Labconco Bariatric Blood Drawing Chairs

Specifications

1132200—Bariatric Blood Drawing Chair

- Overall dimensions: 50.1" w x 30.75" d x 43.5" h (127.3 x 78.1 x 110.4 cm)
- Gray vinyl upholstered chair and two hinged and padded arms, glacier white powder-coated 1" square tubular steel frame, and 304 stainless steel foot rest
- Knob on each arm allows for infinite adjustment of arm height from chair seat of 8.2" to 13.2" (20.8 to 33.5 cm)
- Knob on each arm allows infinite adjustments of arm depth from chair back of 18.4" to 21.4" (46.7 to 54.4 cm)
- Ten year limited warranty on materials and workmanship*
- Weight capacity 700 lbs. (316 kg)
- Shipping weight 125 lbs. (57 kg)

⚠ **WARNING:** Cancer—P65Warnings.ca.gov (California only)

1132201—Bariatric Blood Drawing Chair with Storage Cabinet

- Overall dimensions: 69.2" w x 30.75" d x 43.5" h (175.6 x 78.1 x 110.4 cm)
- Gray vinyl upholstered chair and two hinged and padded arms, glacier white powder-coated 1" square tubular steel frame, and 304 stainless steel foot rest
- Knob on each arm allows for infinite adjustment of arm height from chair seat of 8.2" to 13.2" (20.8 to 33.5 cm)
- Knob on each arm allows infinite adjustments of arm depth from chair back of 18.4" to 21.4" (46.7 to 54.4 cm)
- Ten year limited warranty on materials and workmanship*
- Weight capacity 700 lbs. (316 kg)
- Powder-coated storage cabinet with laminate top includes one slide-out tray of high impact ABS plastic with dish dimensions of 14.0" w x 20.25" d (35.6 x 51.4 cm). Bracket and hardware are provided to mount the interchangeable cabinet on left or right side of chair
- Some assembly required
- Shipping weight 178 lbs. (81 kg)

⚠ **WARNING:** Cancer—P65Warnings.ca.gov (California only)



*Warranty excludes normal upholstery wear.

**Visit labconco.com to request information
for all Labconco products.**

LABCONCO CORPORATION

8811 Prospect Avenue
Kansas City, MO 64132

(800) 821-5525 | (816) 333-8811

labconco.com

©2022 LABCONCO CORPORATION

Printed in the U.S.A.

Product design subject to change without notice.

3-38-8/16/22

