

**CANOPY HOOD**  
**INSTRUCTION MANUAL**  
Models 4799000 and 7099000

Product designs are subject to change without notice  
© 1994, 2007 Labconco Corporation  
4809400 Revision C / ECO E427  
Printed in U.S.A.

# ***TABLE OF CONTENTS***

---

<b>Introduction</b>	
Components Shipped	1
General Description	2
Performance	2
<b>Installation</b>	3
<b>Safety Precautions</b>	5
<b>Dimensions</b>	6
<b>Warranty &amp; Contacting Labconco</b>	7

## ***PREFACE***

---

Thank you for displaying confidence in us by selecting a Labconco Canopy Hood. Our design engineers, assemblers and inspectors have utilized their skills and years of experience to ensure that the new Labconco Canopy Hood meets our high standards of quality and performance.

### **IMPORTANT NOTICE**

This manual should be read carefully by all the end users in order to become familiar with the operation of the Canopy Hood. Recommendations are made within the manual to help you obtain maximum performance and life from your product.

We have included sections on performance, initial set up and safety precautions to provide you with all the tools necessary to achieve maximum performance.

If you have questions or concerns, do not hesitate to call us at 1-800-821-5525 for assistance.

## **Components Shipped**

Carefully check the contents of the carton for damage that might have occurred in transit. Do not discard the carton or packing material until all components have been checked against the following component list and the equipment has been installed and tested.

As shipped, the carton should contain the following:

<b>Part Number</b>	<b>Description</b>
47990	4 Foot Canopy Hood
70990	6 Foot Canopy Hood
48094	Instruction Manual

# ***INTRODUCTION***

---

## **General Description**

The Labconco Canopy Hood is designed for special purpose functions in which heat, steam or odors are generated. Large or bulky apparatus such as tissue processor, steam baths or open Kjeldahls can be used in conjunction with the Canopy Hood. The epoxy-coated superstructure has an integral baffle to increase slot velocities and enhance the overall capture efficiency of the hood.

## **Performance**

All component parts of the Canopy Hood are epoxy-coated except the baffle support brackets which are stainless steel. The baffle design enhances perimeter air velocities and capture efficiency. Static pressure loss through the hood shall not exceed .64 inches at 907 CFM and 1.25 inches at 1,360 CFM for the 4-foot unit. Static pressure loss through the 6-foot unit shall not exceed .90 inches at 1,289 CFM and 1.65 inch at 1,934 CFM.

It is not intended that this hood be used with flammable or explosive atmospheres unless equipped with explosion proof components and installed in accordance with all pertinent electrical codes.

The most effective installation is one in which the back is mounted against a wall while the front is supported by 3/8 inch threaded rod mounted to the ceiling. Wire or cable may be substituted for the 3/8 inch threaded rod. Please see Figure 1 for recommended installation technique.

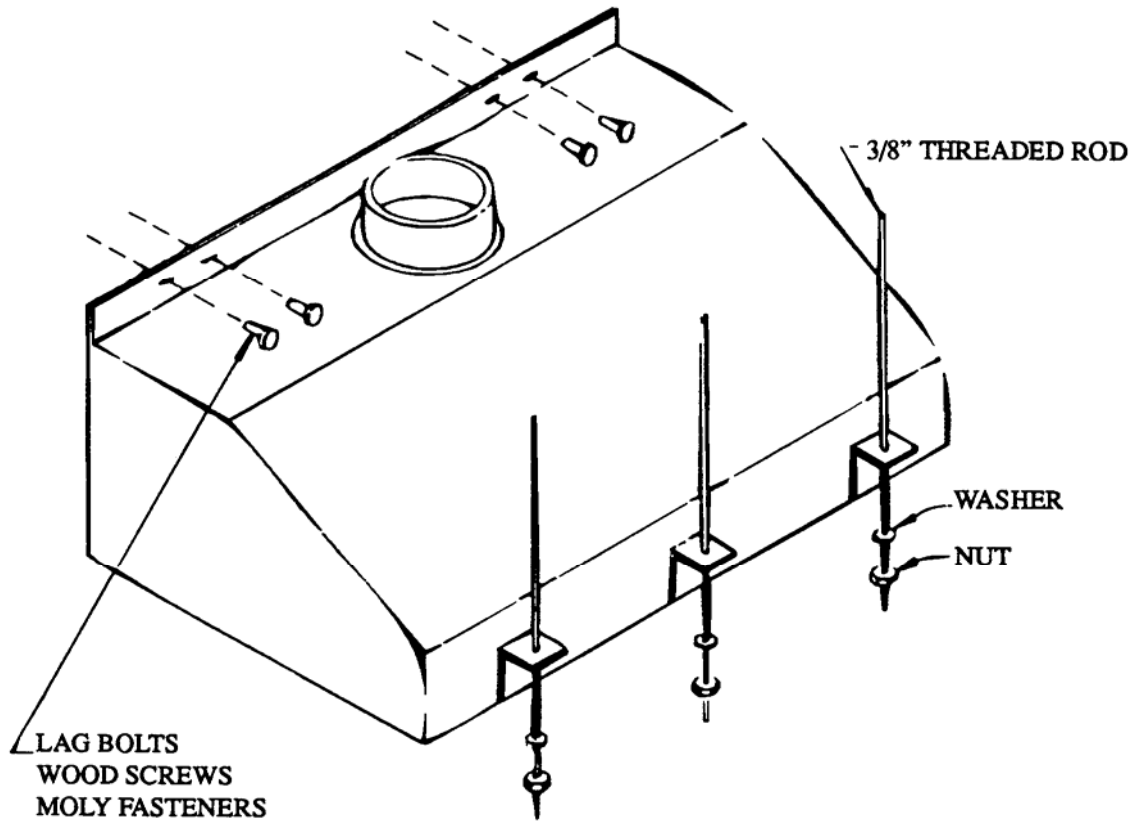


Figure 1

### Hood Efficiency

The Canopy Hood can be extremely effective when installed correctly. The effectiveness of the Canopy Hood is dependent directly upon the proximity of the work area to the hood face. The face velocity and static pressure expressed in the Performance section is based on a theoretical hood face at 1 foot below the hood. If the height of the working apparatus is below the theoretical 1-foot face, then efficiencies will drop off. Conversely, the hood will become more efficient as the height of the working apparatus enters inside the 1-foot face.

Therefore, the distance between the work surface and the hood is extremely important. Even when used as a multipurpose installation, it is important to be within or near the 1-foot face for maximum efficiency for all uses. Refer to Figure 2.

# *INSTALLATION*

---



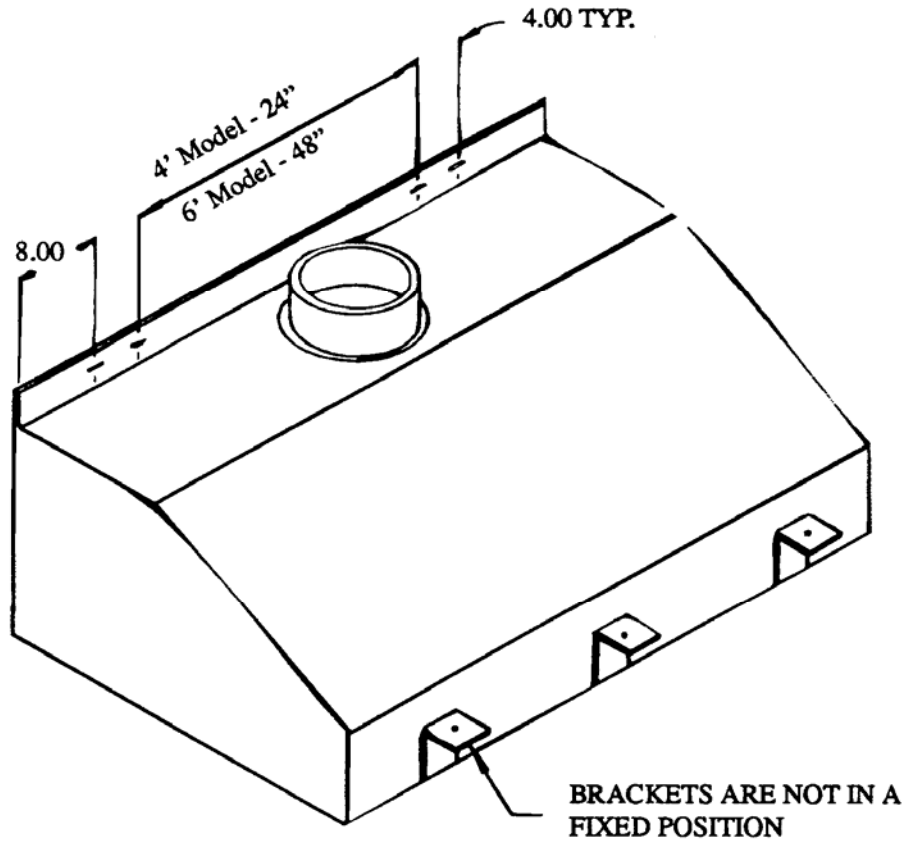
Figure 2

## ***SAFETY PRECAUTIONS***

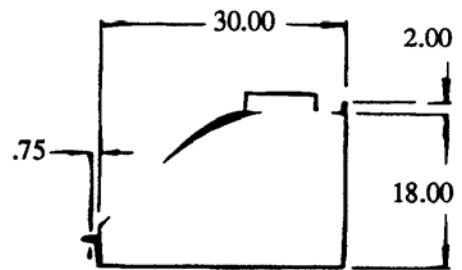
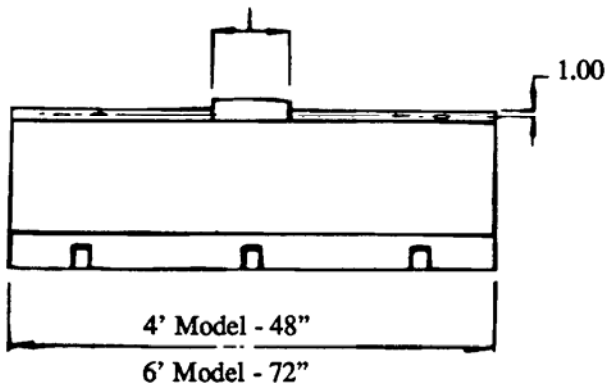
---

**Note:** Canopy Hoods are not provided with explosion proof electrical components. Flammable or explosive atmospheres should not be used in conjunction with this hood.

# DIMENSIONS



4' Model - 10.81 I.D.  
6' Model - 12.81 I.D.



# **WARRANTY & CONTACTING LABCONCO**

---

## **Warranty**

Labconco provides a warranty on all parts and factory workmanship. The warranty includes areas of defective material and workmanship, provided such defect results from normal and proper use of the equipment.

The warranty for all Labconco products will expire one year from date of installation or two years from date of shipment from Labconco, whichever is sooner, except the following;

- Purifier® Delta® Series Biological Safety Cabinets and PuriCare® Lab Animal Research Stations carry a three-year warranty from date of installation or four years from date of shipment from Labconco, whichever is sooner.
- SteamScrubber® & FlaskScrubber® Glassware Washers carry a two-year warranty from date of installation or three years from date of shipment from Labconco, whichever is sooner.
- Blood Drawing Chairs carry a ten year warranty.
- Carts carry a lifetime warranty.
- Glassware is not warranted from breakage when dropped or mishandled.

This limited warranty covers parts and labor, but not transportation and insurance charges. In the event of a warranty claim, contact Labconco Corporation or the dealer who sold you the product. If the cause is determined to be a manufacturing fault, the dealer or Labconco Corporation will repair or replace all defective parts to restore the unit to operation. Under no circumstances shall Labconco Corporation be liable for indirect, consequential, or special damages of any kind. This statement may be altered by a specific published amendment. No individual has authorization to alter the provisions of this warranty policy or its amendments. Lamps and filters are not covered by this warranty. Damage due to corrosion or accidental breakage is not covered.

## **Returned or Damaged Goods**

Do not return goods without the prior authorization from Labconco. Unauthorized returns will not be accepted. If your shipment was damaged in transit, you must file a claim directly with the freight carrier. Labconco Corporation and its dealers are not responsible for shipping damages.

The United States Interstate Commerce Commission rules require that claims be filed with the delivery carrier within fifteen (15) days of delivery.

## **Limitation of Liability**

The disposal and/or emission of substances used in connection with this equipment may be governed by various federal, state, or local regulations. All users of this equipment are required to become familiar with any regulations that apply in the user's area concerning the dumping of waste materials in or upon water, land, or air and to comply with such regulations. Labconco Corporation is held harmless with respect to user's compliance with such regulations.

## **Contacting Labconco Corporation**

If you have questions that are not addressed in this manual, or if you need technical assistance, contact Labconco's Customer Service Department or Labconco's Product Service Department at 1-800-821-5525 or 1-816-333-8811, between the hours of 7:00 a.m. and 6:00 p.m., Central Standard Time.