



Protecting your  
laboratory environment

**LABCONCO®**

LABCONCO CORPORATION 8811 Prospect Ave, Kansas City, MO 64132  
(816) 333-8811, Fax (816) 363-0130, (800) 821-5525

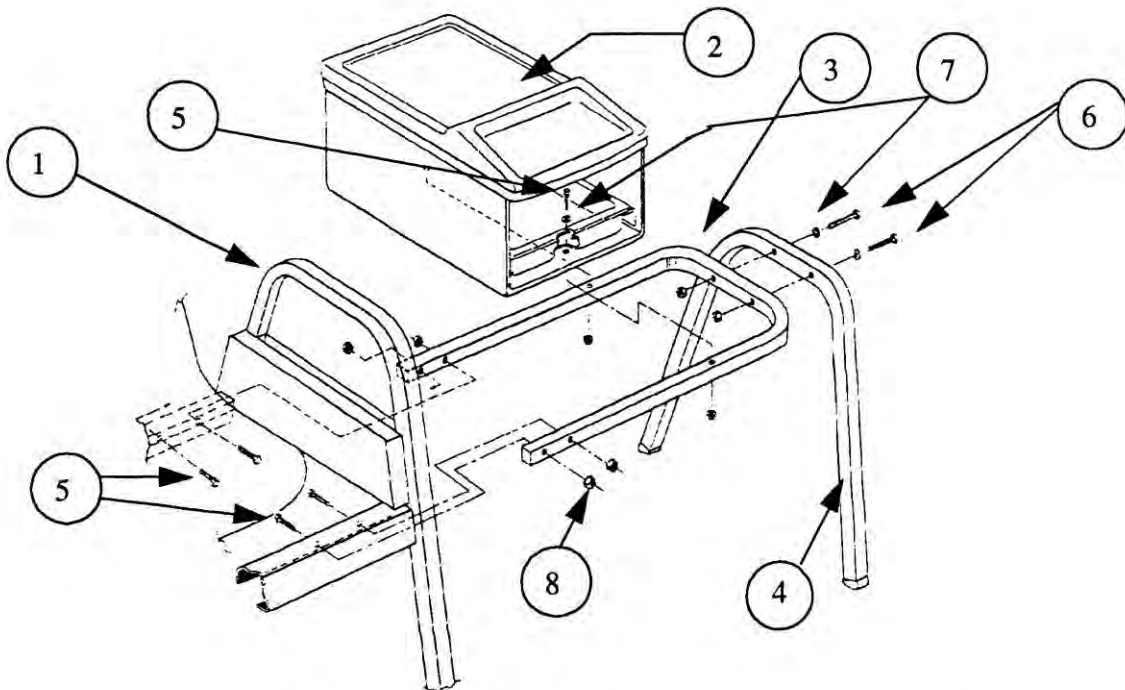
## BLOOD DRAWING CHAIR

### 11200-00 AND 11200-01 Models Blood Drawing Chair

Your Blood Drawing Chair has been shipped fully assembled and ready to use.

### 11201-00 and 11201-01 Models Single Blood Drawing Chair & Cabinet

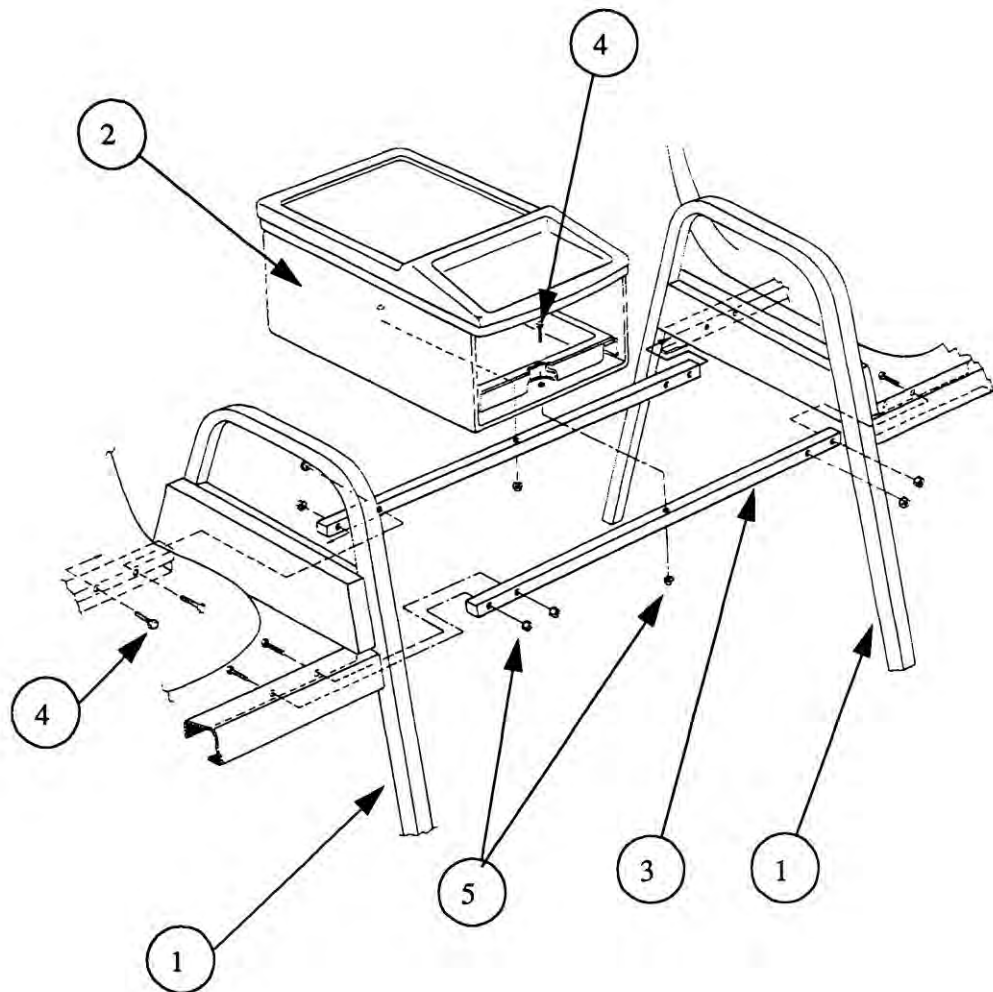
Your shipment has arrived in three cartons – the Chair, the Cabinet and the Leg Kit.  
Hardware to assemble the Storage Cabinet to the Chair is included with the Leg Kit.  
Below is a list of parts included. The Storage Cabinet can be attached to either side of  
the Blood Drawing Chair as desired. To assemble, a 7/16" wrench is required.



	Cat. #	Description		Qty
1	11200-00 or 11200-01	Blood Drawing Chair	Carton #1	1
2	11282-00 11284-00	Storage Cabinet Assembly Leg Kit Assembly- consisting of:	Carton #2 Carton #3	1 1
3	11296-00	Single Support Assembly		1
4	11297-00	Single Leg Assembly		1
5		Hex Screw 1/4-20x1-1/2		6
6		Hex Screw 1/4-20x2-1/4		2
7		1/4" Flat Washer		4
8		1/4-20 Hex Nut		8

## 11202-00 and 11202-01 Models Double Blood Drawing Chair & Cabinet

Your shipment has arrived in four cartons – the two Chairs, the Cabinet and the tube containing the Support Kit. Hardware to assemble the Storage Cabinet to the Chairs is included in the Support Kit. To assemble, a 7/16" wrench is required. Parts included with this model are listed below.



	Cat. #	Description		Qty
1	11200-00 or 11200-01	Blood Drawing Chair	Carton #1&2	2
2	11282-00 11286-00	Storage Cabinet Assembly Double Leg Kit Assembly	Carton #3 Shipping Tube #4	1 1
3	11295-00	Double Support Tube		2
4		Hex Screw 1/4-20x1-1/2		10
5		1/4-20 Hex Nut		10

## **Blood Drawing Chair Features**

- **Adjustable Seat** – The seat can be adjusted, forward and back, by lifting the adjustment lever on the lower-right side of the seat. There are three positions to accommodate small to larger individuals.
- **Arm Height Adjustment** – Raise and lower the padded arm of the chair by grasping both sides of the arm, lifting and pulling forward to select height position. Choose an elevation for the padded arm that best extends the patient's arm for venipuncture.
- **Padded Arm Lift** – The padded arm is rotated to the upright position for patient entry and exit of the chair. A lift mechanism safely assists the padded arm's motion up and down.
- **Elevated Seat** – The seat height from the floor is intentionally high and designed to reduce back strain for the technician. The tubular rest for the padded arm as well as the stainless steel footrest assist the patient into and out of the seat.

## **Storage Cabinet Features (optional)**

- **Padded Cabinet Top** – The cabinet top can be used in some instances to draw blood. It features a recessed area in the front for convenient placement of phlebotomy supplies. The back area is large enough to support typical phlebotomy kits.
- **Pull Out Tray** – The tray can be used to store any commonly used items. To completely remove the tray for cleaning, with the tray fully inside the cabinet, simply lift up and out.

## **Warranty**

Labconco provides a warranty on all parts and factory workmanship. Blood Drawing Chairs carry a 10-year warranty from date of shipment from Labconco. The warranty covers materials, workmanship and upholstery defects. Upholstery is expected to show wear with use and wear is not covered under warranty. Warranty is non-transferable and only applies to the owner (organization) of record.

This limited warranty covers parts and labor, but not transportation and insurance charges. In the event of a warranty claim, contact Labconco Corporation or the dealer who sold you the product. If the cause is determined to be a manufacturing fault, the dealer or Labconco Corporation will repair or replace all defective parts to restore the unit to operation. Under no circumstances shall Labconco Corporation be liable for indirect, consequential, or special damages of any kind. This statement may be altered by a specific published amendment. No individual has authorization to alter the provisions of this warranty policy or its amendments. Lamps and filters are not covered by this warranty. Damage due to corrosion or accidental breakage is not covered.

## **Returned or Damaged Goods**

Do not return goods without the prior authorization from Labconco. Unauthorized returns will not be accepted. If your shipment was damaged in transit, you must file a claim directly with the freight carrier. Labconco Corporation and its dealers are not responsible for shipping damages.

The United States Interstate Commerce Commission rules require that claims be filed with the delivery carrier within fifteen (15) days of delivery.

## **Limitation of Liability**

The disposal and/or emission of substances used in connection with this equipment may be governed by various federal, state, or local regulations. All users of this equipment are required to become familiar with any regulations that apply in the user's area concerning the dumping of waste materials in or upon water, land, or air and to comply with such regulations. Labconco Corporation is held harmless with respect to user's compliance with such regulations.

## **Contacting Labconco Corporation**

If you have questions that are not addressed in this manual, or if you need technical assistance, contact Labconco's Customer Service Department or Labconco's Product Service Department at 1-800-821-5525 or 1-816-333-8811, between the hours of 7:00 a.m. and 6:00 p.m., Central Standard Time.