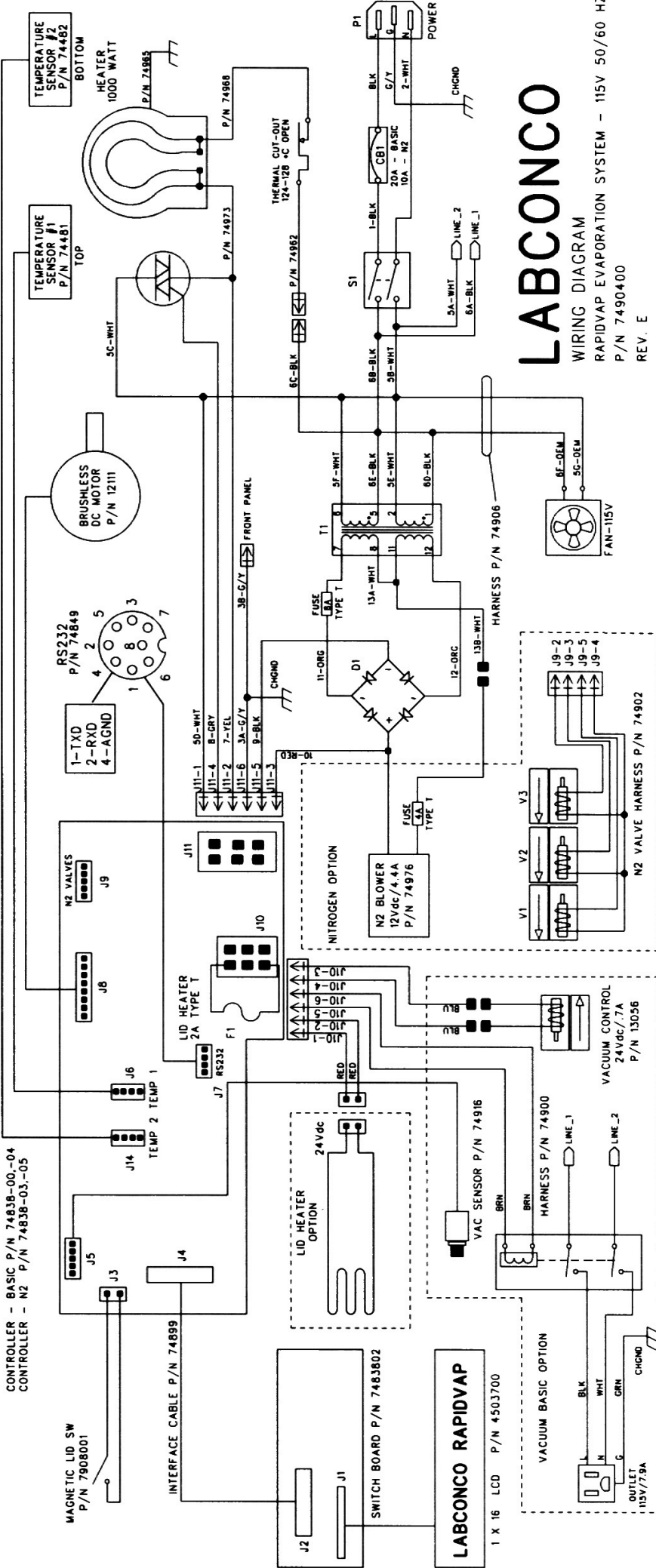


CONTROLLER - BASIC P/N 74838-00,-04
CONTROLLER - N2 P/N 74838-03,-05



LABCONCO

WIRING DIAGRAM
RAPIDVAP EVAPORATION SYSTEM - 115V 50/60 HZ.
P/N 7490400
REV. E

LABCONCO RAPIDVAP
1 X 16 LCD P/N 4503700

